

PanelDirector Standard

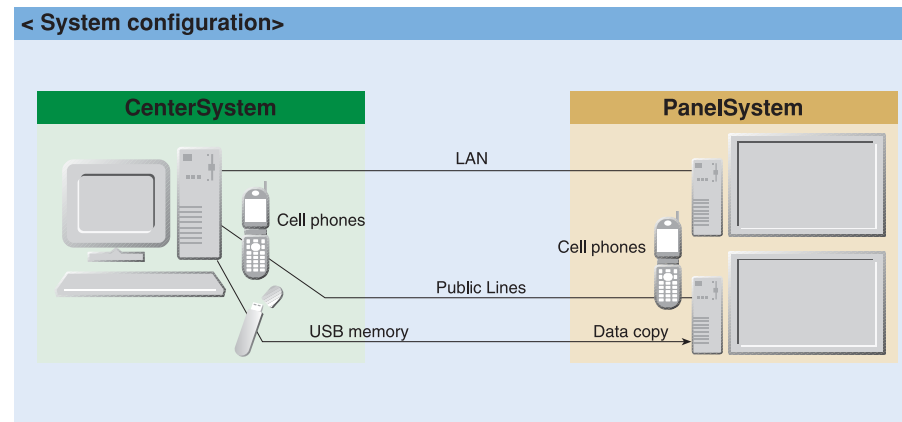
Distribute contents from CenterSystem by LAN or public lines and offline data distribution by using USB memory.

System requirements

CenterSystem
 CPU: Intel Pentium 4 1.7GHz and above (Recommended)
 RAM: 512MB and above (Recommended)
 OS: Microsoft Windows XP Professional / Home Edition
 Microsoft Windows Vista Ultimate / Business Edition

PanelSystem

CPU: Intel Celeron 2GHz and above (Recommended)
 RAM: 512MB and above (Recommended)
 OS: Microsoft Windows XP Professional / Home Edition
 Microsoft Windows Vista Ultimate / Business Edition



PanelDirector Professional

PanelDirector Professional enables you to manage scheduling and make distribution reservation from multiple CenterSystems, simultaneously distribute content to multiple locations via HTTP / TCP and manage the database via DB server.

System requirements

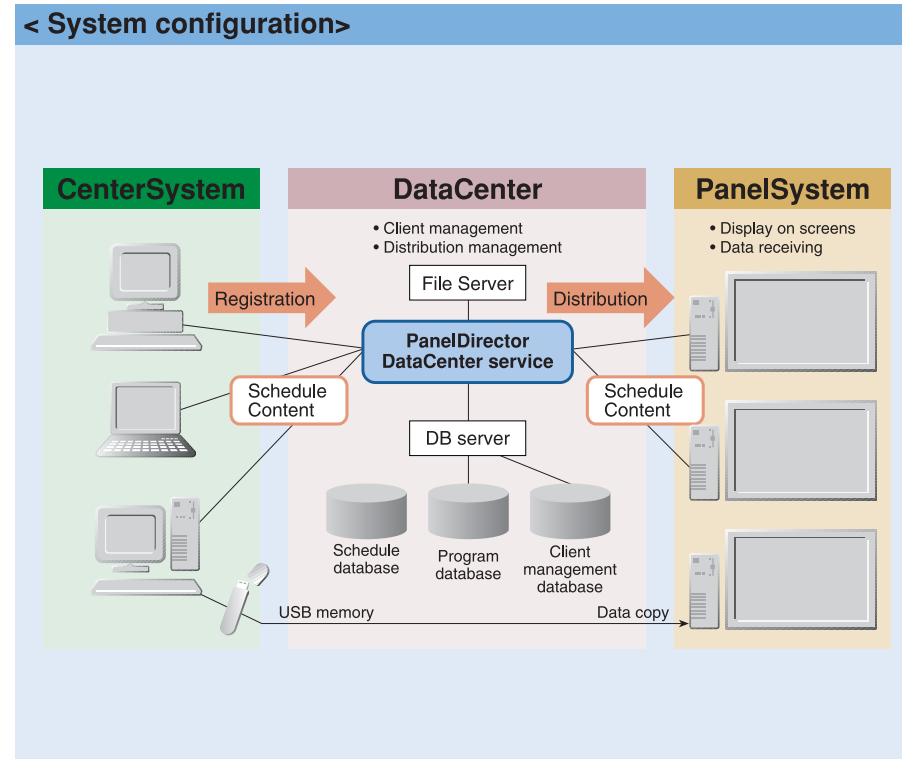
DataCenter Service
 CPU: Intel Pentium III 1GHz and above (Recommended)
 RAM: 1GB and above (Recommended)
 OS: Microsoft Windows 2003 server
 DB: Microsoft SQL Server 2005
 Microsoft SQL Server 2000
 Microsoft SQL 2000 Desktop Engine*
 Others: Microsoft Internet Information Server 5.0 / 6.0

CenterSystem

CPU: Intel Pentium 4 1.7GHz and above (Recommended)
 RAM: 512MB and above (Recommended)
 OS: Microsoft Windows XP Professional / Home Edition
 Microsoft Windows Vista Ultimate / Business Edition

PanelSystem

CPU: Intel Celeron 2GHz and above (Recommended)
 RAM: 512MB and above (Recommended)
 OS: Microsoft Windows XP Professional / Home Edition
 Microsoft Windows Vista Ultimate / Business Edition



* If Microsoft SQL 2000 Desktop Engine is used. Maximum database size is limited to 2GB. In addition, the performance speed is 1.5 to 2 times slower than SQL Server.



PanelDirector

A Digital Signage Solution for Dynamic Content Distribution

It's time to take control of how you deliver your messages to your customers.

Start creating effective content through stunning displays with PanelDirector today!

Contact us at paneldirector@nec.com.sg

To learn more, visit www.nec.com.sg

NEC SINGAPORE T: +65 6278 1818 www.nec.com.sg	NEC MALAYSIA T: +60 3 2178 3600 www.necmalaysia.com.my	NEC THAILAND T: +66 2 259 1192 www.nec.co.th	NEC PHILIPPINES T: +63 2 848 6400 www.nec.com.ph	NEC INDONESIA T: +62 21 520 1215 www.nec.co.id	NEC INDIA T: +91 11 4657 0000 www.necindia.in	NEC VIETNAM T: +84 4 933 3585 www.necsv.com
--	---	--	---	--	---	---

PanelDirector

A Digital Signage Solution for Dynamic Content Distribution



Deliver your message direct to your customers on high resolution flat-screen screens, any time, any place!

It's all under your control and so easy to use!

PanelDirector is a display system that can control and distribute contents scheduled to display them on remote screen in real-time through LAN / public line. PanelDirector puts you in total control of the messages you send to your customers. Maximize your communication with interactive touch-screen multi-display capabilities to deliver up-to-the-minute information to multiple locations anytime, anywhere.

- Create eye-catching advertisements and in-store promotions
- Deliver breaking news
- Display maps, timetables and schedules

If it's information you need to get to your customers, Panel Director is the tool to deliver it.

- Deliver up-to-the-minute information in real-time across multiple locations
- Schedule displays when you want them
- Enhance your messages with interspersed external video feed
- Remotely turn on / off your NEC display panels to time your messages effectively
- Display multiple screens on one panel display to maximise your message
- Deliver more with interactive touch panel displays
- Get started today with our FREE sample graphics

The possibilities are endless

Service information

Install panels in public spaces such as entrance halls and lift lobbies to display timely information. Examples: train stations, shopping centres, schools or tour agencies.

Paging service

Install panels at reception / information counters to call the next person in line. Examples: hotels, hospitals, government agencies, store warehouse, restaurants, banks or shops.

Product / service guide

Install panels to display time-limited offers, recommended products and up-to-the-minute information. Examples: shops, restaurants, cafes, car showrooms or banks.

Information guide

Install panels to deliver information in public places. With interactive touch screen capabilities, your customers have easy access to the information they need. Examples: shopping centres, exhibition halls, showrooms or offices.

AT A GLANCE

- Attractive and informative display
- Support various content types
- Manage schedules closely
- Used in various environment

PanelDirector features

Alternating screen displays

Display more information with two alternating displays. Design a more flexible layout with multiple displays on one screen.

Telop display

Display scrolling text horizontally or vertically and chose between a coloured or transparent background.

Content display

Create any content you want. Supports all general image, video and audio formats.

Supported visual formats

PowerPoint, HTML, Flash, and other general image and video formats.

Supported audio formats

Wav, wave, mp3, au, aif, aiff, wma, mud or midi.

Clock display

Create more interesting designs with a choice of 8 different digital, 2 different analogue clock displays and customize your own clock.

Touch-panel display

Create more interactive messages with touch-panel capabilities. Display switches to touch-panel application with a touch of the display. (External touch panel application is required)

Multi-monitor display

Divide your display screen for maximum impact.

Schedule management

Control the timing of all your displays from one central location with this simple schedule management program. Edit schedules with a simple drag-and-drop function.

Program edit

Change settings and add, edit and delete programs with ease. Edit layouts to maximise your message.

Display area edit

Arrange sequence of content display and divide screen layout with ease by registering multiple URL or EXE files.

Panel management

Manage display panels, troubleshoot and control power on / off using CenterSystem.

Network distribution

Take advantage of network distribution capabilities using Intranet LAN, public lines (PHS, ISDN) or internet, as well as office distribution using USB memory.

Interrupted distribution

Need to distribute emergency information? You can easily interrupt the normal schedule to get your urgent message out.

System collaboration

Scalable system collaboration is possible with external interaction by URL reference / EXE file execution or video device control such as automatic control of an AV device.

